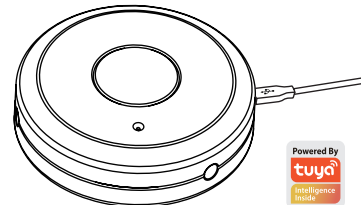




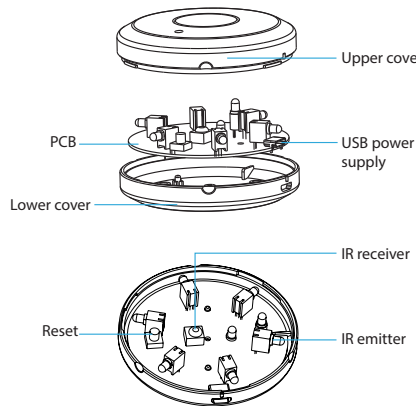
IR REMOTE CONTROLLER

INSTRUCTION



Thanks for
Choosing our WiFi Smart Home Sensors

Product Configuration



Specifications

Power Supply: USB 5V/1A
 Infrared Frequency: 38-56Khz
 Infrared Distance: 7M
 Infrared Angle: 360°
 Max Current: 110mA
 Max Power: 0.55W
 Wireless Type: 2.4GHz
 Wireless Standard: IEEE 802.11b/g/n
 Wireless Range: 45M
 Operating Temperature: 0℃ ~ 40℃ (32°F ~ 104°F)
 Operating Humidity: 20% ~ 85%
 Storage Temperature: 0℃ ~ 60℃ (32°F ~ 140°F)
 Storage Humidity: 0% ~ 90%
 Size: 69mm x 69mm x 34mm
 Support: Amazon Echo, IFTTT, TMALL GENIE, Rokid



Smart Life

IFTTT

LED State

Device Status	LED State
Smart Wi-Fi	Indicator flashes quickly
AP mode	Indicator flashes slowly
Remote control	Indicator flashes one time
Standby	Indicator OFF
Reset/Switch to adding status	Long press reset button for 5-7s

How to reset?

- Press the reset button for 6 seconds till the indicator flash rapidly. Then device turns to smart wifi mode.
- Press the reset button again for 6 seconds till the indicator flash slowly. The device turns to AP mode.

Get Started with Tuya Smart App

1. Download APP

- Download the "Smart life" app from APP Store or Google Play to your mobile.



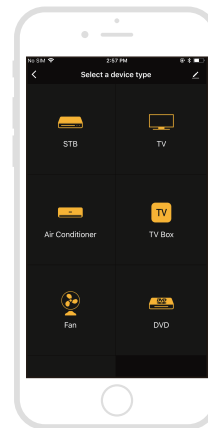
2. Register and Login

- Launch the "Smart life" app.
- To register, enter your mobile phone number or email address, create a password, then login to the app.
- Login if you have an account already.**

3. Add Device

- Power on the smart sensor which default's mode is **Smart WiFi** mode.
- Select the "+" symbol on the top right-hand corner.
- Select your product type and follow the instructions of the app.
- If the connecting fails, try using AP Mode**
- On the "Add device" page select "AP Mode" on the top right-hand corner and follow the instructions of the app.
- Finally, have fun!

What's the App User Interface Like ?



Smart life

Experience Advanced Features

You can experience the various advanced features of the product with the app, just try and do it yourself.

Main function

- Add Remote Control: Click "Add Remote Control", select a device type and follow the instructions of the app.
- Learning function (DIY): keep close enough between the sensor and the device you want to control.

Linkage alarm setting

- To connect two Sensors via scene setting.

Device sharing

- Allow others to control the device

Push notification

- Open/close push notification

Remove device

- Restore default settings; Delete and add the device again to clear the record by APP.



Make Your Home Smarter